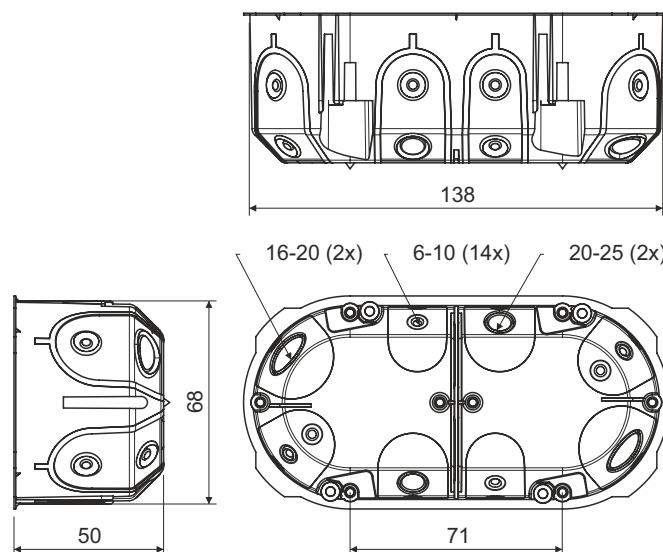




69dB



product description:

- designed for distribution system with voltage 400 V and with maximum current 16 A
- designed for mounting into hollow walls (eg. walls of plasterboard)
- inlet openings made of flexible material
- marked inputs for sealing pipes in the flexible material (2x 16-20 mm, 2x 20-25 mm, 14x 6-10 mm)
- air-tightness even with inserted cable or pipe
- suitable for low energy and passive houses
- prevents airflow through the installation
- mounting screws with plastic foot are fitted with a twin self-tapping thread for quick installation
- instrument screws are tightened below the edge of the box
- extended edge situated for easy overlay installed device
- when mounting, it is not necessary to countersink the plasterboard edge
- mounting space in the box is divided partition membrane
- possibility to insert screwless terminals
- suitable for soundproof walls with maximum soundproofing $R_w = 69\text{dB}$

material: PVC (Pb Free)

color: yellow

self-snuffing: yes, within 30 s

temperature resistance: -5 - +60 °C

flaming loop test: 850 °C

fire class for underlying material: A1-F

weight: 57 g

meets the requirements: ČSN EN 60670-1, ČSN EN IEC 60670-1 ed. 2:21

storage: ČSN 64 0090

KPL 64-50/2LD_NA - boxes fitted with screws for mounting into double wall and device screws - package: 40 pcs of boxes loose in carton

accessories: screwless terminal plates TYP015, TYP016, TYP017, TYP018
cover VKP 64/2L

auxiliary tools: saw-drill VPT 64
universal carrier VPTU